

## Product Profile

### MB86H52-RB

September 2007

### MPEG-2 to H.264 Transcoder Development Kit

#### ◆ Overview

"MB86H52-RB" is a development kit to evaluate LSI "MB86H52" which can transcode from MPEG-2 HL to H.264. It has the PCI bridge in it, MPEG-2 and H.264 stream from PCI bus can be input and output. Moreover, the decoded baseband video and audio signal can be output from HDMI and the baseband video and audio signal input from HDMI can be encoded to H.264 stream.

#### ◆ Function

Transcode (TS → TS)	Video	MPEG-2 HD → H.264 HD/SD MPEG-2 SD → H.264 SD
	Audio	Time stamp re-allocation
H.264 Encode (Baseband Signal → TS)	Video	VBS → H.264 HD/SD
	Audio	ABS → MPEG-1 Audio Layer2/other
H.264 Decode (TS → Baseband Signal)	Video	H.264 HD/SD → VBS
	Audio	MPEG-1 Audio Layer2/other → ABS

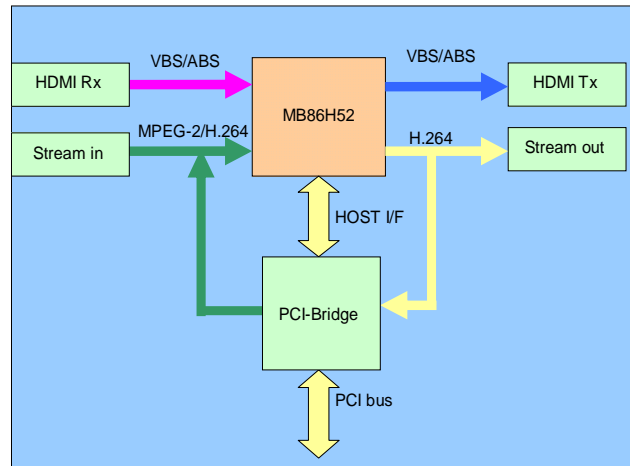
- VBS = Video Baseband ABS = Audio Baseband
- Transcoder/Encoder/Decoder is exclusive operations



# MB86H52-RB

## ◆ Features

- HDMI input: Video1080i, 720p, 480i, Audio PCM, SPDIF
- HDMI output: Video1080i, 720p, 480i, Audio PCM, SPDIF
- PCI bus: 3.3V bus only, HOST I/F, Stream Read / Write
- Power +5V, +3.3V
- Extent ion connector mode1: Stream I/F
- Extent ion connector mode2: opt. board use  
\*exclusion use mode1 and mode2
- Component video input/output (option)
- Analog audio input/output (option)



## ◆ Hardware Features

- 512Mbits DDR2, HDMI Tx/Rx
- 27MHz OSC, Clock Generator
- PCI-Bridge: FPGA
- on-board power generation: 0.9V, 1.2V, 1.8V, 2.5V, 3.3V
- Video ADC/DAC (option), Audio ADC/DAC (option)

## ◆ Software

- Linux version
  - Driver API, Initialized application
  - Recode/Play application, Driver control application
- Windows version (under development)
  - PCI driver
  - Recode/Play application, Driver control application
  - Stream read filter, Stream write filter

### FUJITSU LIMITED

Business Development Dept.  
 TV and STB Solution Div.  
 Electronic Devices  
 Shinjuku Dai-Ichi Seimei Bldg.  
 7-1, Nishishinjuku 2-chome, Shinjuku-ku, Tokyo 163-0721, Japan  
 Tel: +81-3-5322-3354 Fax: +81-3-5322-3365  
 e-mail: [edevice@fujitsu.com](mailto:edevice@fujitsu.com)  
<http://www.fujitsu.com/microelectronics>